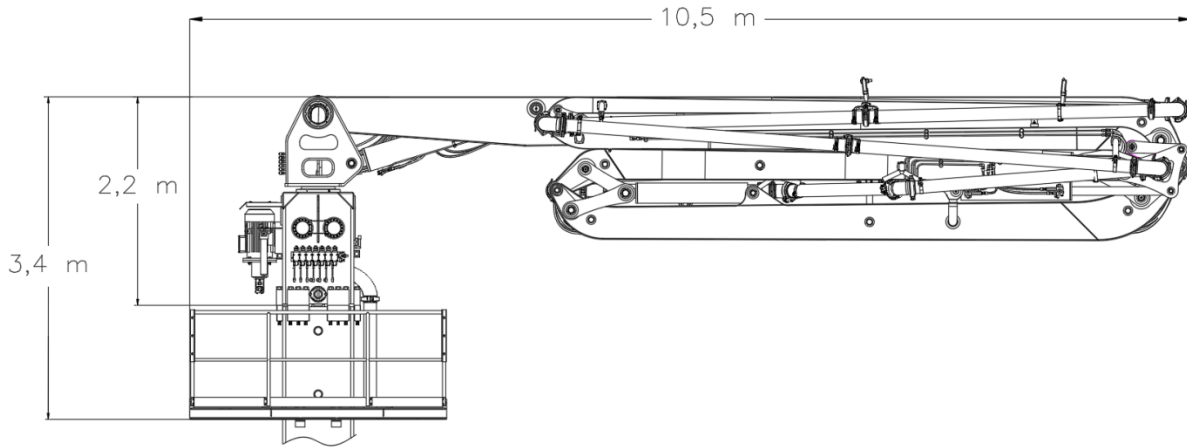


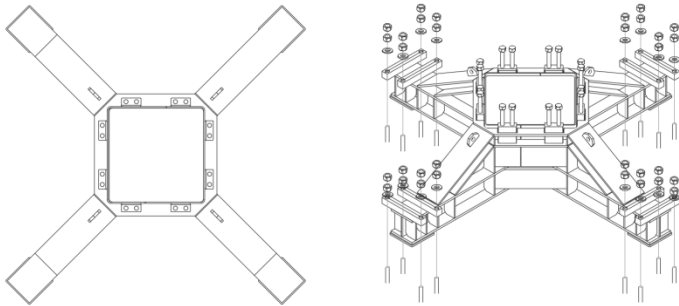
BSD 36 - 5 RZT



STANDARD EQUIPMENT

- Wireless Remote Control
- 1 x 10 m Square Column
- 1 x 6 m Square Column
- Mast Equipment
- Concrete End Hose (4 m
- 3 x Shaft Frame
- 3 x Ladder with Rail
- 2 x Ladder
- 2 x Lifting Cylinder
- Working Platform
- 1 x Heavy Duty Spanner Set

CRUCIFORM FOUNDATION BASE



SUPPORT LEG SYSTEM

- 1 Unit of Transversal Leg Foundation Base + Anchorage Bolts

DIMENSIONS

	BSD 26 4 ZT	BSD 33 4 ZT	BSD 36 5 ZT	BSD 39 5 RZT	BSD 43 5 RZT
A	8.4 m	10.8 m	10.5 m	10.5 m	10.9 m
B			2.2 m		
C			3.4 m		

COLUMN CONNECTION SECTION

