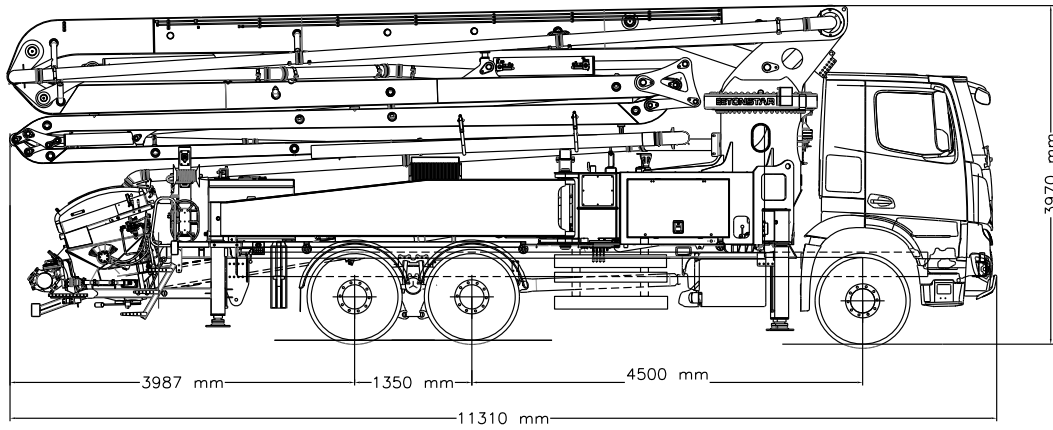


BST 37 – 4Z



Note : Dimensions may vary depending on truck model.

BST 37.14 4Z	
PUMP GROUP	Standard
Theo. Conc. Output (max) (Rod Side)	140 m ³ / h
Theo. Conc. Pressure (max) (Rod Side)	69 bar
Stroke	26 Stroke / min
Concrete Cylinder Dimensions	230 mm x 2100 mm
STANDARD EQUIPMENT	
Hopper Capacity	: 650 l
Switching System	: Elect. Magn. Sensor
Concrete Valve	: S Valve System
Electric Box	: Waterproof and PLC Controlled
Remote Control	: Included (HETRONIC)
End Hose	: 3 m
Water Pump	: 67 lpm
Water Tank Capacity	: 650 l and Hose 15 m
Lubrication System	: Hydraulic (LINCOLN)
Driven by	: PTO or Gear Box
BOOM SYSTEM	
Boom Type	: 4Z
Sections	: 4
Boom Swing Time	: 113 sec
Boom Swinging Angle	: 365°
Concrete Pipe Diameter	: 125 mm
SUPPORT LEGS SYSTEM	
Front Legs	: X
Rear Legs	: Side Hydraulic Swing
CONTROL SYSTEM	
<ul style="list-style-type: none"> ■ Smartstar Control ■ Color LCD ■ Rear Keyboard ■ Diagnostic ■ Fuel Saving Mode 	
OPTIONS	
<ul style="list-style-type: none"> ■ Hopper Vibrator ■ Hydraulic Driven Fan ■ Stability Control ■ Air Compressor ■ End Hose Squeeze Valve ■ High Pressure Cleaning Kit (140 bar) ■ Betonstar IoT System ■ Remote Control (HBC) ■ Auto Unfolding ■ Water and Oil Tank Heater 	

BOOM WORKING DIAGRAM

