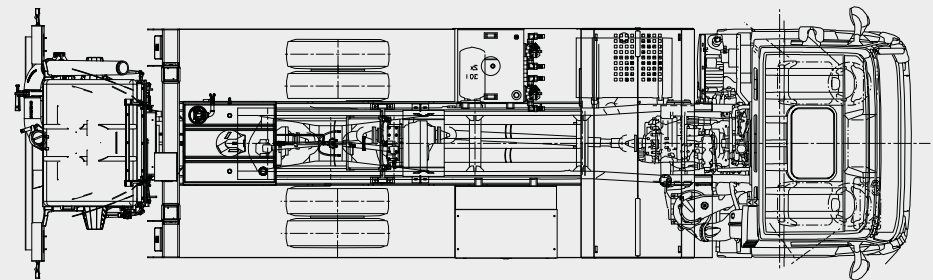
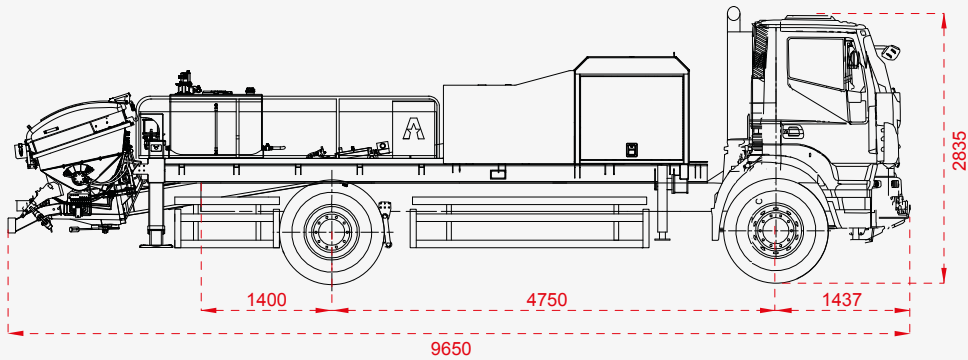


CITY PUMP

BSS 21 CP



● TECHNICAL DETAILS



● TECHNICAL SPECIFICATIONS

	BSS 21.90CP
Engine	185 kW - (252 HP) Diesel 6 Cylinder
Theo. Concrete Output (max)	Rod Side: 90 m ³ / h - Piston Side: 56 m ³ / h
Theo. Concrete Pressure (max)	Rod Side: 92 bar - Piston Side: 148 bar
Concrete Delivery Cylinder Diameter	200 mm
Delivery Cylinder Stroke Length	2100 mm
Valve System	S-valve
Hydraulic Pressure (max)	350 bar
Hopper	650 liter
Delivery Line Diameter	5.5" inch (125 mm)
Manual Output Control	0-86 m ³
Agitator Pump	ASC
Main Pump	REXROTH A4 VG 180
S-Valve Pump	REXROTH A10 VO 28
Electric Box	Smartstar Control

* All datas shown are theoretical and subject to change without notice.